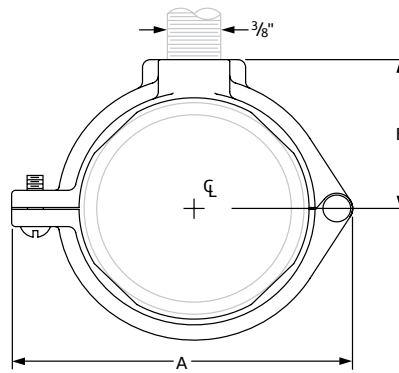
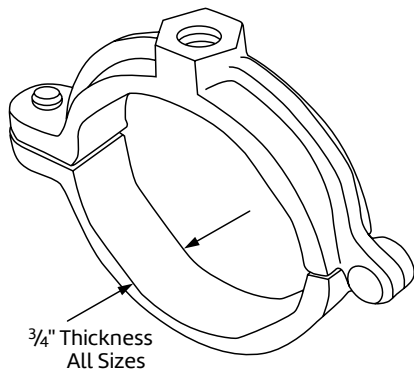


Extension Split Tubing Clamp (Rod Threaded) Fig. CT-138R



Size Range: 1/2" through 2"

Material: Malleable iron or Ductile iron

Finish: Epoxy Coated

Service: Recommended for suspension of non-insulated **stationary** copper tube.

Approvals: Complies with Federal Specification A-A-1192A (Type 12) WW-H-171-E (Type 25), ANSI/MSS SP-69 and MSS SP-58 (Type 12).

Installation:

- Permanent installation of clamp may be made before the tubing is placed in position.
- Final installation is attained by swinging the lower portion of the hinged clamp up under the tubing and inserting a single screw securely.

Features:

- Hinged design provides for economical installation.
- Designed to provide a tight fit on copper tubing.

Ordering: Specify nominal tube size, figure number and name.



Fig. CT-138R: Dimensions (in) • Loads (lbs) • Weight (lbs)

Tube Size	Max Load	Weight	A	B
1/2	180	0.10	2	3/4
3/4		0.12	2 1/4	7/8
1		0.14	2 1/2	1
1 1/4		0.18	2 7/8	1 1/8
1 1/2		0.22	3 1/4	1 1/4
2		0.36	4	1 9/16

PROJECT INFORMATION	APPROVAL STAMP
Project:	Approved
Address:	Approved as noted
Contractor:	Not approved
Engineer:	Remarks:
Submittal Date:	
Notes 1:	
Notes 2:	